

INSTALLER GUIDE

LPG (PROPANE) CONVERSION KITS 5110284 & 5110285

Contents

Kit number **5110284**. This kit is for use on Baxi Brazilia models **F 5 & F 5S**.

Description	Spares Number	Quantity
Gas Tap Assembly	5110450	1
Data plate label	5110287	1

Kit number **5110285**. This kit is for use on Baxi Brazilia model **F 8S**.

(F8ST models cannot be converted or used on Propane)

Description	Spares Number	Quantity
Gas Tap Assembly	5110451	1
Data plate label	5110288	1

Safety

Always turn off the gas supply and allow the appliance to cool completely before fitting the conversion kit or commencing any servicing.

Installing the kit

Removing the Outer Case from the heater

I. If fitted, remove the outer case from the heater. To do this, hold the control knob and pull it clear of the heater. Remove the outer case by holding the sides and lifting upward, then forward. This will release the case from the case hanging brackets on the heater body. Place the control knob and outer case in a safe place away from the work area.

Removing the gas tap.

I. Undo the heat exchanger retaining nuts and washers (See figure 1).

Important safety - The heat exchanger is heavy. If the heater is fitted to a wall then ensure that the heat exchanger is supported as it may fall from the heater

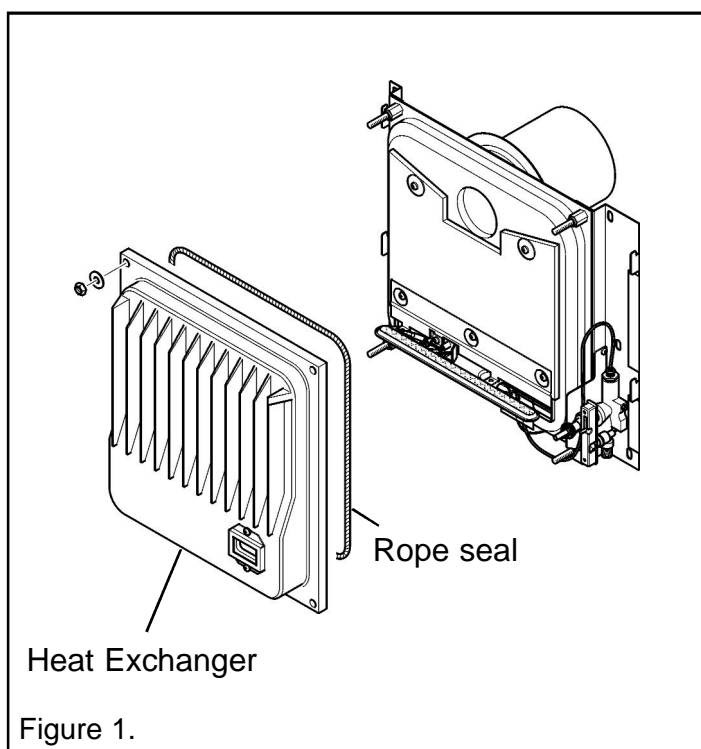
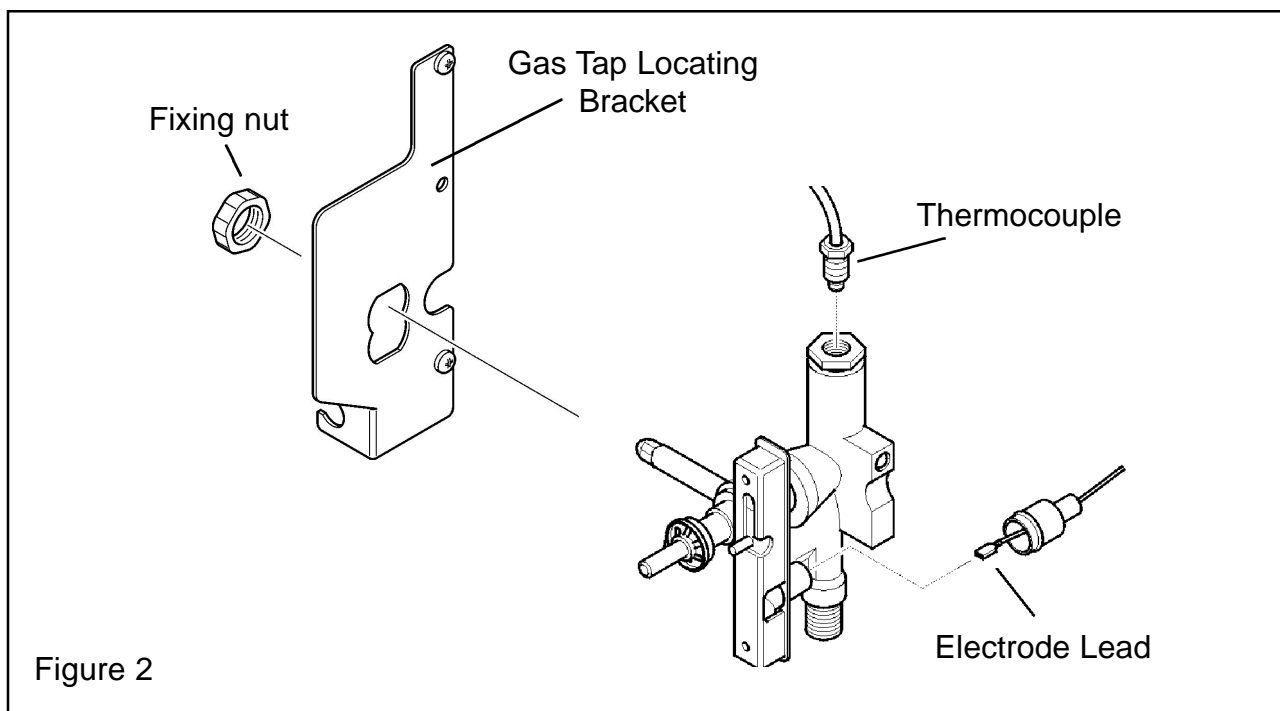


Figure 1.

causing damage or injury.

2. Lift the heat exchanger clear of the heater and place aside.

3. Unscrew and remove the thermocouple from the the top of the gas tap (See figure 2).



4. Pull back the plastic cover from the electrode lead. Grip the electrode lead close to the tap. Gently pull the electrode lead from the gas tap (See figure 2).

5. Remove the two screws holding the gas tap locating bracket to the heater body.

6. Remove the gas tap. To do this hold and slide the gas tap to the right.

7. Note the position of the gas tap in relation to the Gas tap locating bracket. Unscrew and remove the nut holding the gas tap to the gas tap locating bracket (See figure 2). Disengage the tap from the bracket. Place the gas tap clear of the work area.

Fitting the LPG Gas tap assembly.

1. Fit the LPG gas tap to the heater in the reverse order to that above.

Important safety notes

- It is important to check that the airbox sealing grommet on the gas tap is correctly positioned. It should pass through the hole in the airbox without being deformed.
- It is important to check that the rope seal on the inside of the heat exchanger casting is positioned correctly in its channel before re-fitting.

Fitting the Data plate label

1. Peel the backing from the self adhesive data plate label and place it over the relevant section on the data plate attached to the heater.

Important: Always ensure gas soundness, sealing, and performance are satisfactory in accordance with installer guide supplied with the appliance and with current regulations.